

GENERAL CHARACTERISTICS

Mechanical Level Switch for liquids with magnetic triggering of an adjustable micro switch or reed switch.

- * high switch capability
- * wall mounting
- * reliable
- * good repeatability

Male thread G3/4A brass/stainless steel



TECHNICAL DATA

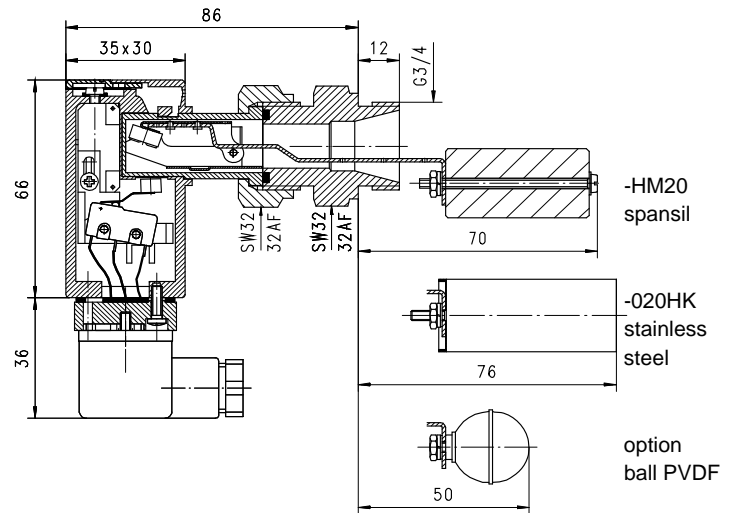
NW3-020HM

	G	Type	liquid density g/cm ³	PN bar	L mm	weight kg
brass	G 3/4 A	MW3 / NW3-020HM	≥0.7	25	72	0.35
stainless steel	G 3/4 A	MW3 / NW3-020HK	≥0.9	10	76	0.35

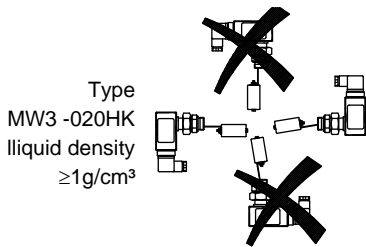
media temperature max. 110°C

MATERIALS

	MW3/NW3-020HM	MW3/NW3-020HK
housing	Ms58 nickel plated	stainless steel 1.4305
socket	Ms58 nickel plated	stainless steel 1.4571
wetted parts	stainless steel 1.4310 ; 1.4571	stainless steel 1.4310 ; 1.4571
float	spansil	stainless steel 1.4571
magnet	oxyd 300	oxyd 300
seal	NBR	viton



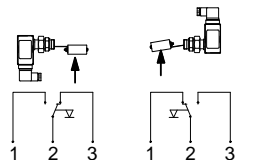
INSTALLATION POSITION



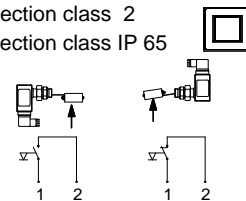
Installation position may influence operation!

ELECTRICAL DATA

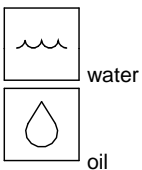
MW3
micro switch
wiring 0.374 change over
250 V AC 5 A
plug DIN 43650-A
protection class 2
protection class IP 65



NW3
reed switch
wiring 0.225 n.c. or n.o. depending on installation position
230 V AC 1 A 50 VA
plug DIN 43650-A
protection class 2
protection class IP 65



METERING SUBSTANCES



design stainless steel
MW3/NW3-020HK
for aggressive liquids

NOMENCLATURE

MW3-	020	H	M	Beispiel Beschreibung
MW3-				● micro switch
NW3-				● reed switch
		H		● socket thread G3/4A
			M	● brass design
			K	● stainless steel design
Special option VARIO				☐ contact for locking plug M12x1, 4-pole float ball PVDF

All technical changes reserved

●BASIC Standard ○BASIC Programme option ☐VARIO Special option ⊕ PLUS Accessories ✗not recommendable