

Product Information

Pressure Switch PM



- Plug-in connection
- Highly reproducible
- Adjustable
- Normally open/normally closed contact

Characteristics

Mechanical pressure controller in which a membrane or piston is pre-tensioned by a spring. An adjustment screw permits the setting of the spring pre-tension, and therefore of the switching point.

Technical data

Switch	mechanical switch	
Process connection	male thread R 1/8" (further process connections available on request)	
Switching range	0.15..150 bar	for details see table "Ranges"
Tolerance	±0.2..5 bar	
Hysteresis	0.15..10 bar	
Pressure resistance	PN 80..300 bar	
Media temperature	-5..+60 °C optionally -30..+140 °C available on request	
Ambient temperature	-5..+60 °C	
Media	water, oils, gases	
Wiring	normally open NO No. 0.372	
	normally closed NC No. 0.441	
Switching voltage	max. 48 V AC	
Switching current	max. 0.5 A (0.2 A inductive)	
Protection class	2 - Safety insulation	
Ingress protection	IP 54	
Electrical connection	plug 6.3 DIN 46224 form A	
Materials medium-contact	NBR, 1.4310, body steel, brass, or stainless steel	
Non-medium-contact materials	NBR body brass, or stainless steel	
Weight	0.08 kg	
Installation location	installation location as desired, switching head not recommended underneath	

Ranges

Connection material brass

Switching range bar (rel.)	PN bar	Tolerance (25 °C) bar	Hysteresis (25 °C) bar	Functional principle	Types
0.15 - 2	80	±0.2	0.15	Membrane	PM-002M004H
2.00 - 10		±0.3	0.20		PM-010M004H

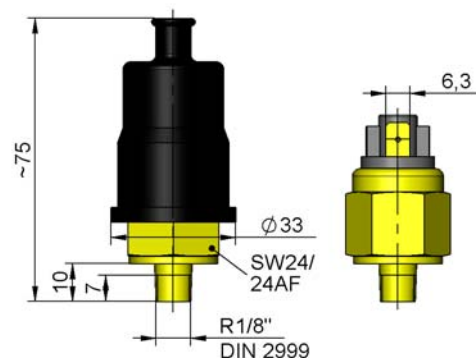
Connection material stainless steel

Switching range bar (rel.)	PN bar	Tolerance (25 °C) bar	Hysteresis (25 °C) bar	Functional principle	Types
0.15 - 2	80	±0.2	0.15	Membrane	PM-002K004H
2.00 - 10		±0.3	0.20		PM-010K004H
10.00 - 20	150	±0.4	0.30		PM-020K004H
20.00 - 50		±1.0	0.80		PM-050K004H
50.00 - 80		±2.0	5.50		PM-080K004H
50.00 - 150	300	±5.0	10.00	Piston	PM-150K004H

Connection material steel

Switching range bar (rel.)	PN bar	Tolerance (25 °C) bar	Hysteresis (25 °C) bar	Functional principle	Types
10 - 20	150	±0.4	0.3	Membrane	PM-020S00 4H
20 - 50		±1.0	0.8		PM-050S00 4H
50 - 80		±2.0	5.5		PM-080S00 4H
50 - 150	300	±5.0	10.0	Piston	PM-150S00 4H

Dimensions



Product Information

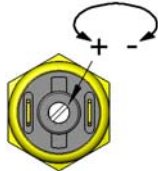
Handling and operation

Note:

- If the media are dirty, install a filter.
- It must be ensured that the values given for voltage, current, and power are not exceeded.
- When switch on, a load must be connected in series.

Adjustment

- Loosen the cap and set the desired switching value using the adjustment screw. Then attach the hood back onto the device.



Ordering code

PM -

1. Switching range	
002	0.15 - 2 bar
010	2.00 - 10 bar
020	10.00 - 20 bar
050	20.00 - 50 bar
080	50.00 - 80 bar
150	50.00 - 150 bar
2. Connection material	
M	brass
K	stainless steel
S	steel
3. Connection size	
004	thread R 1/8"
4. Process connection	
H	screw-in thread
5. Wiring	
S	'normally open', no. 0.372
O	'normally closed', no. 0.441

Options

- Membrane made of FKM
- Media temperature -30..+140 °C
- Adjustment