

Product Information

CRE-025HM / K

Flow Switch CRE



- Can be used from nominal width DN 25..200
- Suitable for media with ferritic particles

Characteristics

The devices function via the principle of a paddle supported by a metal bellows, and the triggering of a micro switch.

Technical data

Switch	micro switch	
Nominal width	DN 25..200	
Process connection	male thread R 1 "	
Switching range	0.19..165.7 m ³ /h	for details see table "Ranges"
Q_{max.}	up to 240 m ³ /h	
Tolerance	±15 % of full scale value	
Pressure resistance	brass construction	PN 8 bar , reduced switching range PN 5 bar
	stainless steel construction	PN 13 bar , reduced switching range PN 5 bar
Medium temperature	-20..+120 °C	
Ambient temperature	-20..+85 °C	
Media	water (oils and aggressive media available on request)	
Wiring	changeover no. 0.374	
Switching voltage	250 V DC	
Switching current	15(8) A	
Protection class	1 - PE connection	
Ingress protection	IP 65	
Electrical connection	cable screw gland M16x1.5	
Materials medium-contact	Brass construction:	Stainless steel construction:
	CW614N, 1.4571, Tombak	1.4571
Non-medium-contact materials	ABS	
Weight	Brass construction:	0.95 kg
	Stainless steel construction:	1.1 kg

Installation location	Standard: horizontal inwards flow; switching unit not recommended underneath; other installation positions are possible; the installation position affects the switching point and range.
------------------------------	---

Ranges

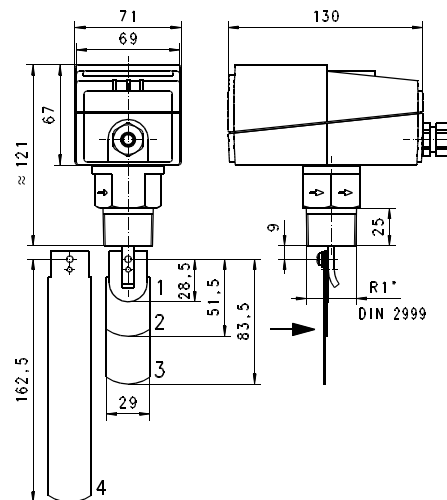
Details in the table correspond to horizontal inwards flow with decreasing flow rate.

● = Standard ○ = Option for reduced switching range

DN	Switching range m ³ /h H ₂ O				Q _{max.} recommended															
	Paddle 1	Paddle 1,2*	Paddle 1,2,3*	Paddle 1,2,3,4*																
25	○ 0.19 - 1.0	●	●	●	3.6															
	● 0.55 - 2.0																			
32	○ 0.24 - 1.4				●	●	●	6.0												
	● 0.82 - 2.8																			
40	○ 0.50 - 1.9							●	●	●	9.0									
	● 1.10 - 4.0																			
50	○										●	●	●	15.0						
	●														0.9 - 3.6					
65	○													●	●	●	24.0			
	●																	2.1 - 7.3		
80	○																●	●	●	36.0
	●																			
100	○	●	●	●																60.0
	●																			
125	○				●	●	●													90.0
	●																			
150	○							●	●	●										120.0
	●																			
200	○										●	●	●							240.0
	●																			
	○													●	●	●				60.0
	●																			
	○																●	●	●	90.0
	●																			
	○	●	●	●																120.0
	●																			
	○				●	●	●													120.0
	●																			
	○							●	●	●										240.0
	●																			
	○										●	●	●							240.0
	●																			
	○													●	●	●				240.0
	●																			
	○																●	●	●	240.0
	●																			
	○	●	●	●																240.0
	●																			
	○				●	●	●													240.0
	●																			
	○							●	●	●										240.0
	●																			

*must be used together

Dimensions



Adapt paddle 1 for DN 25.
 From DN 100, adapt paddle 4:
 DN 100 Paddle length 92
 DN 125 Paddle length 117
 DN 150 Paddle length 143
 from DN 175 unshortened

Product Information

CRE-025HM / K

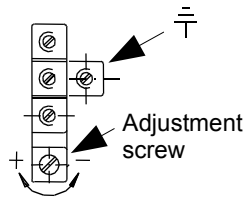
Handling and operation

Note

- Attention! Paddle fixing unsecured. For critical conditions (e.g. vibration), fit a bolted fixing.
- Include straight calming section of 10 x DN in inlet and outlet
- If the media are dirty, install a filter.
- It must be ensured that the values given for voltage, current, and power are not exceeded.
- When switched on, a load must be connected in series.
- The electrical details apply to ohmic loads.
 Capacitive and inductive loads must be operated using a protective circuit.

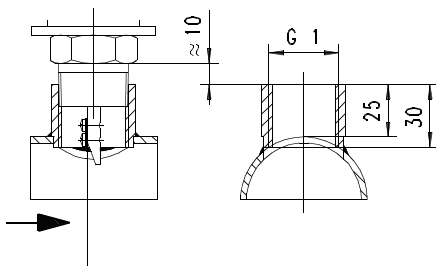
Loosen adjustment

Screw, and remove hood; set the desired switching value using the adjustment screw, and refasten the hood.



Installation recommendation

Use a tube with standard wall thickness as per DIN 2448



Ordering code

1. 2. 3. 4.
 CRE -

○=Option

1. Process connection	025H	threaded connection DN 25 - R 1 "
2. Connection material	M	brass
	K	stainless steel
3. Cable screw gland	S	to the side
4. Switching range	R	○ reduced

Options

- TÜV certification
 CRE-025HMS / CRE-025HKS TÜV.SW.09-28
 CRE-025HM SR / CRE-025HK SR TÜV.SW.09-29
- Switching ranges for oil
- Special values



Ordering information

- Specify direction of flow, medium, and switching range.
- For oils, state viscosity, temperature and designation (e.g. ISO VG 68) (enquire about range).