

**GENERAL CHARACTERISTICS**

Mechanical Flow Switch for liquid or gaseous media, with magnetic triggering of a fixed reed switch. Plastic housing with integrated filter.

- \* fixed switch value
- \* integrated filter
- \* control of small flow rates
- \* high switch capability
- \* flow regulator as option

Male thread G1/2A POM



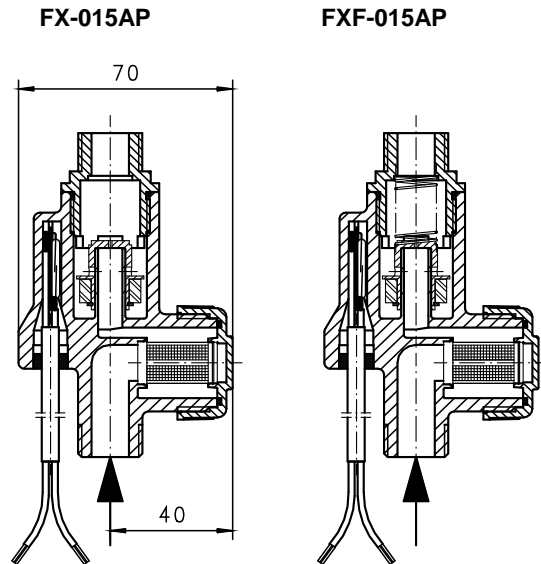
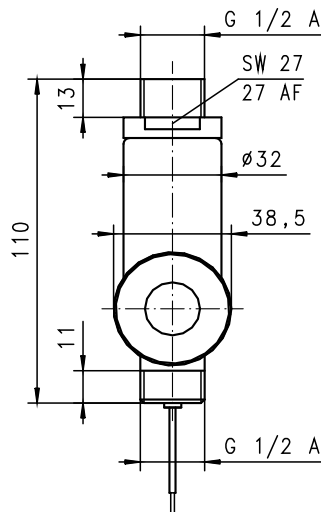
**FX-015AP**

**TECHNICAL DATA**

G	Type	PN bar (20°C)	Qmax. recom. l/min H <sub>2</sub> O	switch value l/min H <sub>2</sub> O selectable range for fixed switch	weight kg
POM	G1/2A FX-015AP	10	12	0.4 - 5	0.14
	FXF-015AP	10	12	2.0 - 12	0.15

Switch value is indicated for upward decreasing flow.

- |                       |   |
|-----------------------|---|
| tolerance             | ±15% of switch value                              |
| media temperature     | max. 80°C at 6 bar                                |
| average pressure loss | FX 0.01 bar at 5 l/min<br>FXF 0.20 bar at 5 l/min |
| hysteresis            | depending on the switch value minimum 0.3 l/min.  |
| filter                | 25 µm   |

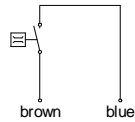


**MATERIALS**

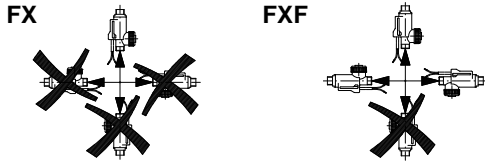
	<b>FX-015AP</b>	<b>FXF-015AP</b>
body	POM glass-fibre	POM glass-fibre
piston	brass Ms58	brass Ms58
snap ring	CuSn8F70	CuSn8F70
spring	-	stainless steel 1.4310
magnet	bariumferrite	bariumferrite
seals	NBR	NBR
filter	nylon/POM	nylon/POM

**ELECTRICAL DATA**

reed switch - wiring 0.212 n.o.  
 230 V AC 1 A 50 VA  
 cabel 0.5 m  
 protection class 2  
 protection class IP 65

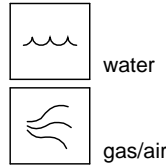


**MOUNTING POSITION**



Position may influence switch value.

**METERING SUBSTANCES**



**NOMENCLATURE**

FX-	015	A	P	basic type specification
FX-				● Flow Switch
FXF-				● Flow Switch with additional spring support
	015			● nominal diameter DN 15
		A		● male thread
			P	● plastic design
Programme option BASIC				○ integrated flow regulator

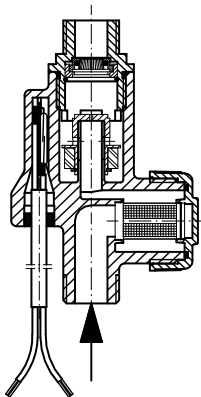
**IMPORTANT ORDER DETAILS**

- Please indicate flow direction, metering substance and switch value with your order.
- With gaseous media indicate pressure (relative or absolute), temperature and metering substance (switch value on request)

**OPTIONS**

- Flow Switch with integrating flow regulator

limiter flow rates 3,5,6,8,10,12 l/min H<sub>2</sub>O.  
 tolerance from 2 bars ±15%  
 temperature max. 65°C



All technical changes reserved

IBASIC Standard ○BASIC Programme option □VARIO Special option ⊕ PLUS Accessories

~~X~~ not recommendable